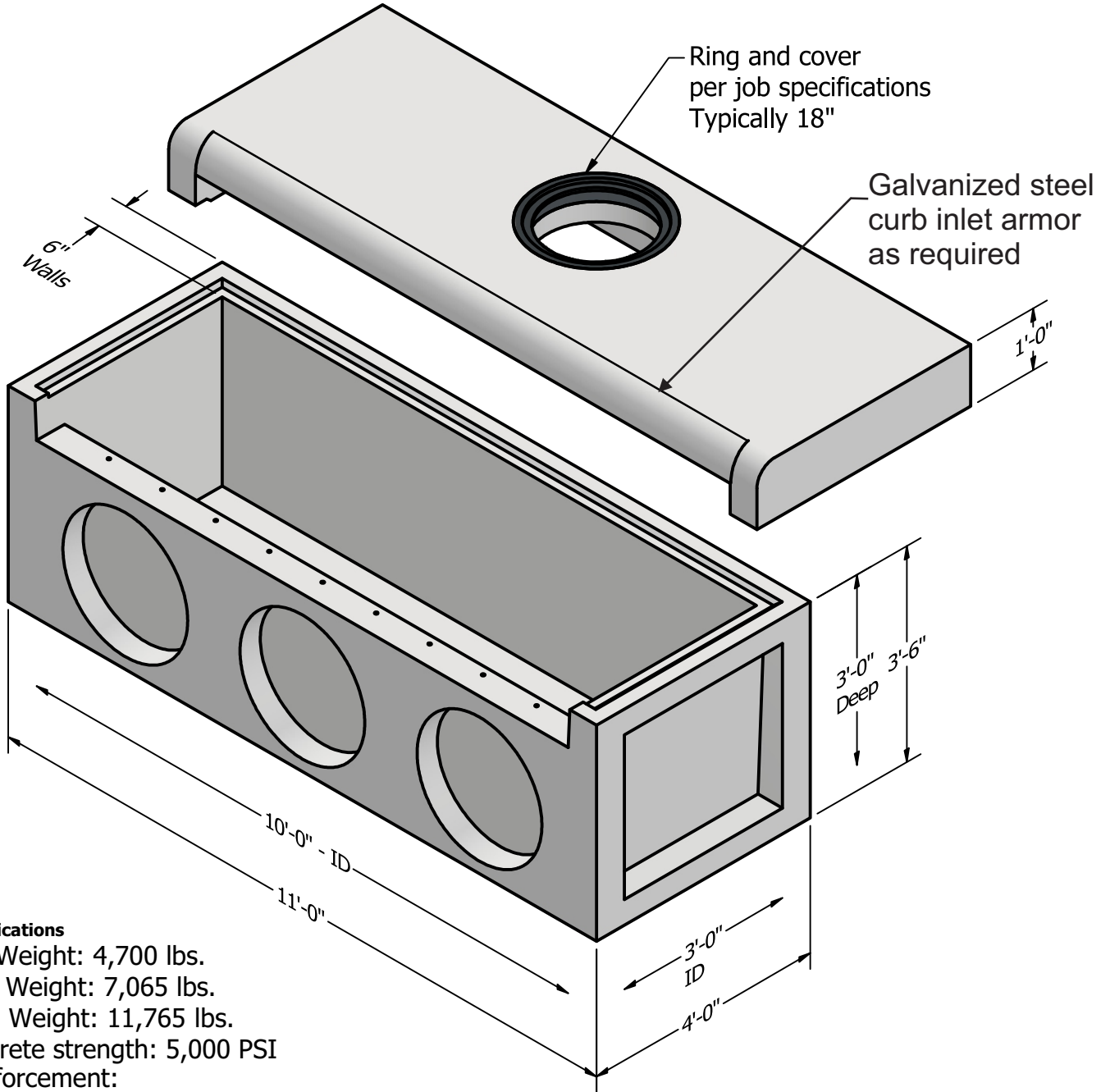


10' Curb Inlet



Specifications

Top Weight: 4,700 lbs.

Base Weight: 7,065 lbs.

Total Weight: 11,765 lbs.

Concrete strength: 5,000 PSI

Reinforcement:

- ASTM A-615 grade 60
- ASTM A1064



Lone Star Precast
454 Kelly Smith Lane
Buda, Texas 78610
Ph: 512.312.2121



TITLE 3' x 3' x 10' Curb Inlet Base			
PART NO	DWG NO	REV	
CIB-3103-FR-CA	CIB-3103-FR-CA.idw		
DRAWN RMD	2/1/2022	SCALE 1 / 25	Dimensions Unit: inch
		SHEET 1 OF 1	